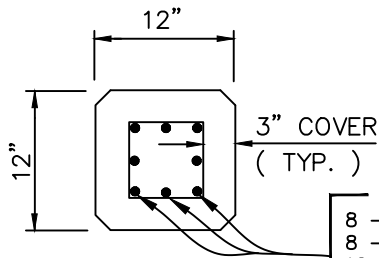


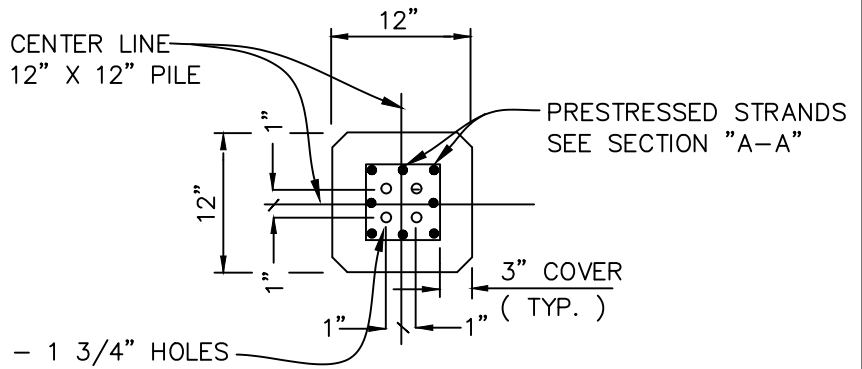
ELEVATION OF 12" X 12" PILE

MAXIMUM LENGTH - 50' SINGLE POINT PICK-UP
 MAXIMUM LENGTH - 70' DOUBLE POINT PICK-UP
 OVER 70' TRIPLE POINT PICK-UP SEE F.D.O.T
 STD. DRAWINGS INDEX No. 600



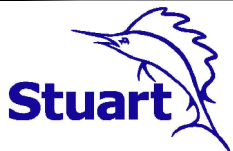
8 - 7/16" Ø L.R.S. - AS - 0.115 in² - 270K @ 21,700# EA. SPACED 2 9/16" CTRS.
 8 - 1/2" Ø S.R. - AS - 0.144 in² - 250K @ 24,100# EA. SPACED 2 1/2" CTRS.
 12 - 3/8" Ø L.R.S. - AS - 0.085 in² - 270K @ 14,800# EA. SPACED 1 11/16" CTRS.
 12 - 3/8" Ø S.R. - AS - 0.085 in² - 270K @ 15,600# EA. SPACED 1 11/16" CTRS.

SECTION "A-A"



PROVIDE 4 - 1 3/4" HOLES
 FOR 4 - No. 10 DOWELS
 4 - 10" LG. GR. 60

SECTION "B-B"



STANDARD UTILITY DETAILS
 City of Stuart
 Utilities & Engineering Department

121 S.W. Flagler Avenue, Stuart, Florida 34994

CONCRETE PILE

DATE: OCTOBER 2021
 FILE NAME: 2021 COS Std Details.dwg

SHEET NUMBER
69