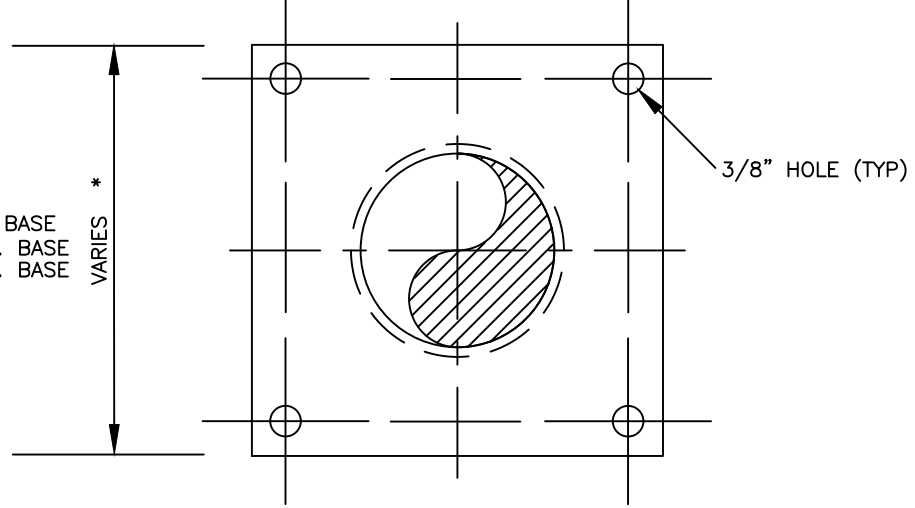


SECTION



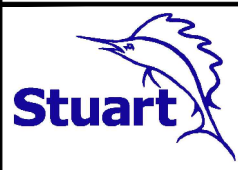
FRONT VIEW

- * 4" HUB = 8"SQ. BASE
- * 6" HUB = 10"SQ. BASE
- * 8" HUB = 12"SQ. BASE

VARIES *

NOTE:

1. IN LIEU OF THE GRAVITY CONNECTOR HUB, A CITY SUPPLIED RUBBER GROMMET MAY BE USED TO INSTALL THE GRAVITY SEWER LINE INTO THE WET WELL. FOR A 4" CONNECTION, A 5" DIA. HOLE SAW SHALL BE USED TO CORE THE OPENING INTO THE WET WELL. THE PIPE SHALL BE CHAMFERED AT THE INSERTION END.
2. THIS CONNECTOR SHALL BE INSTALLED IN FIELD AT ELEV. BASED ON EXIST. SEWER PIPE. ENCASE COUPLING UNDER AND AROUND WITH #57 ROCK FOR BEDDING SUPPORT.
3. ALL HARDWARE SHALL BE 316 STAINLESS STEEL (S.S.).



STANDARD UTILITY DETAILS
 City of Stuart
 Utilities & Engineering Department
 121 S.W. Flagler Avenue, Stuart, Florida 34994

WET WELL GRAVITY CONNECTOR HUB	
DATE: OCTOBER 2021	SHEET NUMBER
FILE NAME: 2021 COS Std Details.dwg	52