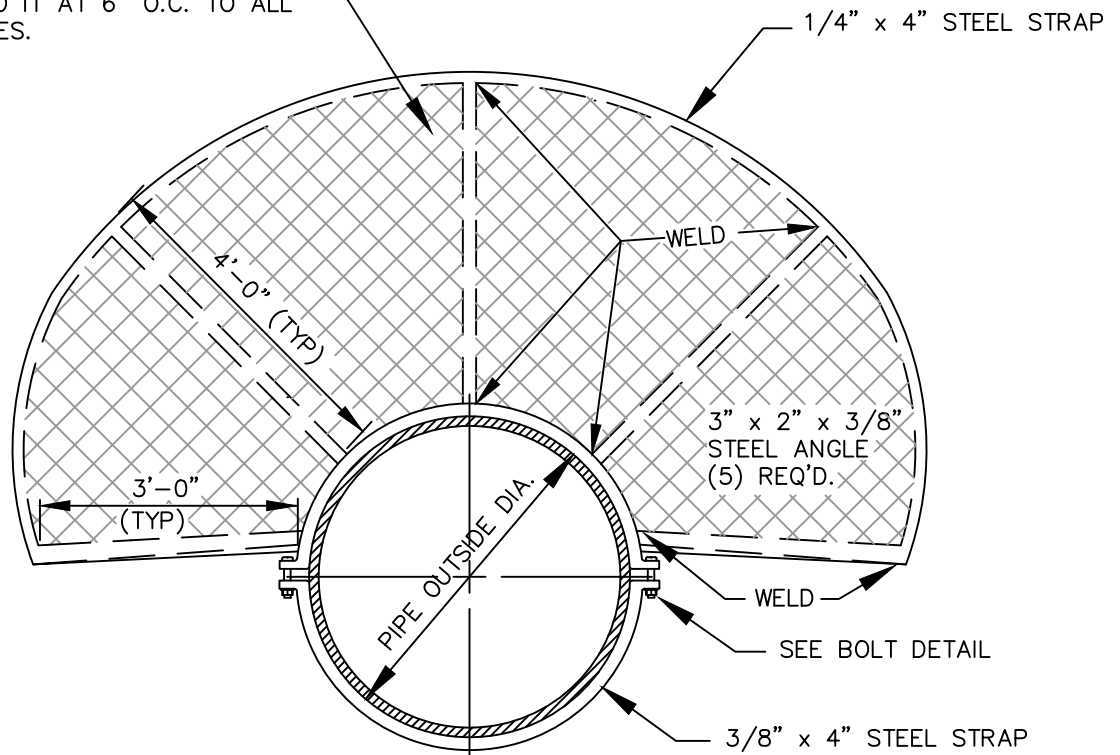


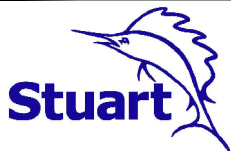
BOLT DETAIL  
N.T.S.

3/4" x 9-11 GAUGE FLATTENED EXPANDED METAL TO COVER FACE OF GUARD FRAME AND SPOT WELD TO IT AT 6" O.C. TO ALL STRAPS AND ANGLES.



NOTES:

1. ENTIRE GUARD ASSEMBLY TO BE DIPPED GALVANIZED AFTER FABRICATION, PAINTING IS NOT PERMITTED.
2. CENTER ANGLES ON 4" STEEL STRAP.



STANDARD UTILITY DETAILS  
City of Stuart  
Utilities & Engineering Department

121 S.W. Flagler Avenue, Stuart, Florida 34994

**AERIAL CROSSING PIPE GUARD**

DATE: OCTOBER 2021

FILE NAME: 2021 COS Std Details.dwg

SHEET NUMBER

**21**