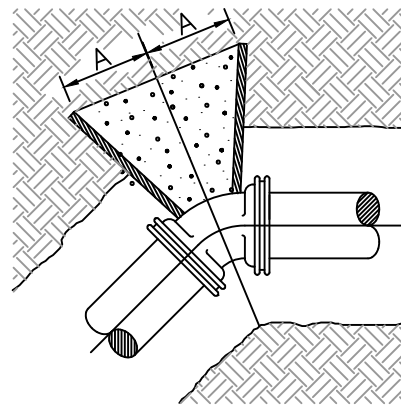
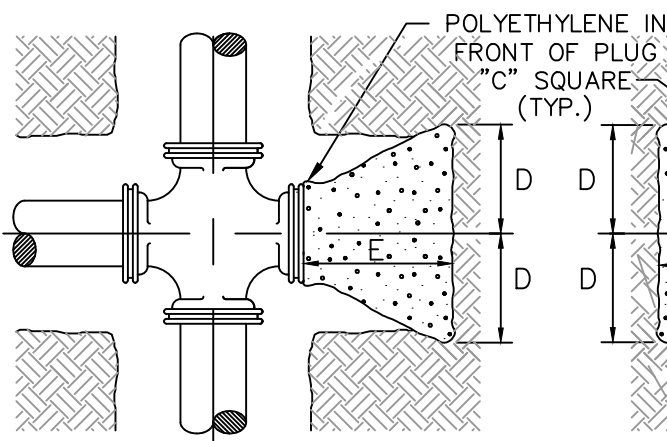


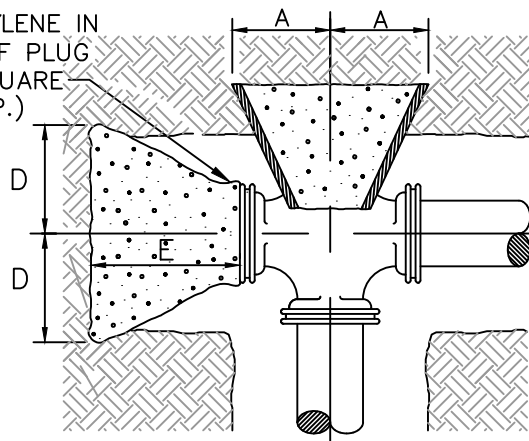
90° BEND



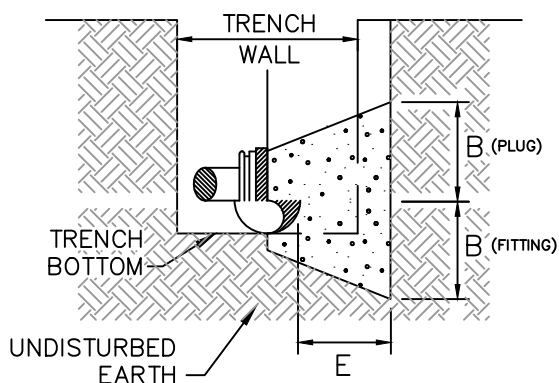
45° - 22½° - 11¼° BENDS



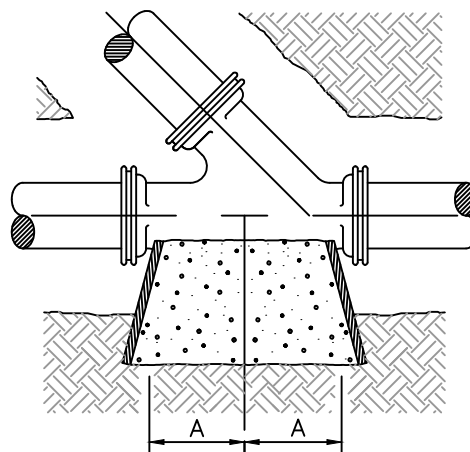
CROSS WITH PLUG



TEE WITH PLUG



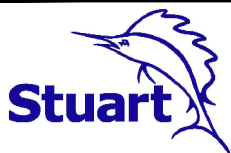
TYPICAL SECTION



LATERAL

NOTE:

POLYETHYLENE (VISQUEEN OR EQUAL) SHALL BE PLACED BETWEEN CONCRETE AND PIPE. (MILLAGE TO BE DETERMINED BY IRC/DUS).



STANDARD UTILITY DETAILS
City of Stuart
Utilities & Engineering Department

121 S.W. Flagler Avenue, Stuart, Florida 34994

THRUST BLOCK CONSTRUCTION

DATE: OCTOBER 2021

FILE NAME: 2021 COS Std Details.dwg

SHEET NUMBER

15